

Tous droits strictement reserves. Reproduction ou communication a des tiers interdite sous quelque forme que ce soit sans autorisation écrite du propriétaire.
 Property of ©BERG ELECTRONICS. Droits de reproduction BERG ELECTRONICS INC.

BERG
ELECTRONICS

All rights strictly reserved. Reproduction or issue to third parties in any form whatever is not permitted without written authority from the proprietor.
 Property of ©BERG ELECTRONICS Copyright BERG ELECTRONICS INC.

DESCRIPTION: ABOVE & BELOW PCB, DECK AND PUSH ROD LOCATION ARE AS VIEW BY USER.

| PRODUCT NO. 93981-XXXX | PUSH-ROD LOCATION | | STAND-OFF HEIGHT DIM "L" | DIM "P" | DOUBLE - DECK HEADER 92821-XXX | Ⓑ CLOSEST TO PCB | Ⓒ FARTHEST FROM PCB | MOUNTING STYLE TO PCB AND PUSH-ROD SIDE |
|---------------------------|---------------------------|------------------------------|--------------------------------|---------|--------------------------------------|-------------------------------|-------------------------------|---|
| | DECK CLOSEST TO PCB | DECK FARTHEST FROM PCB | | | | EJECT MECHANISM 92192-XXXX | EJECT MECHANISM 92192-XXXX | |
| 000CA | LEFT | RIGHT | 0.0 | 2.8 | 92821-000 | 10CA | 00CA | |
| 020CA | LEFT | RIGHT | 2.0 | 2.5 | 92821-040 | 12CA | 00CA | |
| 100CA | RIGHT | LEFT | 0.0 | 2.8 | 92821-000 | 00CA | 10CA | |
| 120CA | RIGHT | LEFT | 2.0 | 2.5 | 92821-040 | 02CA | 10CA | |
| 200CA | RIGHT | RIGHT | 0.0 | 2.8 | 92821-000 | 00CA | 00CA | |
| 220CA | RIGHT | RIGHT | 2.0 | 2.5 | 92821-040 | 02CA | 00CA | |
| 300CA | LEFT | LEFT | 0.0 | 2.8 | 92821-000 | 10CA | 10CA | |
| 320CA | LEFT | LEFT | 2.0 | 2.5 | 92821-040 | 12CA | 10CA | |
| 500CA | RIGHT | LEFT | 0.0 | 2.8 | 92821-500 | 10CA | 00CA | |
| 520CA | RIGHT | LEFT | 2.0 | 2.5 | 92821-540 | 12CA | 00CA | |
| 600CA | LEFT | RIGHT | 0.0 | 2.8 | 92821-500 | 00CA | 10CA | |
| 620CA | LEFT | RIGHT | 2.0 | 2.5 | 92821-540 | 02CA | 10CA | |
| 700CA | RIGHT | RIGHT | 0.0 | 2.8 | 92821-500 | 10CA | 10CA | |
| 700CP | RIGHT | RIGHT | 0.0 | 2.8 | 92821-500 | 10CP | 10CP | |
| 720CA | RIGHT | RIGHT | 2.0 | 2.5 | 92821-540 | 12CA | 10CA | |
| 800CA | LEFT | LEFT | 0.0 | 2.8 | 92821-500 | 00CA | 00CA | |
| 820CA | LEFT | LEFT | 2.0 | 2.5 | 92821-540 | 02CA | 00CA | |

NOTES:

- EJECT FORCE 3.5kg MAX.
- EJECT TRAVEL - 8.0mm
- HEADER ASSY
 PLASTIC: HOUSING - LCP UL94V-0 BLACK (ABOVE P.C.B.)
 - LCP UL94V-0 NATURAL (BELOW P.C.B.)
 LOCATOR - G.F. 6/6 NYLON UL94V-0
 BLACK
 PIN: PHOSPHOR BRONZE
 EJECT MECHANISM ASSY
 PLASTIC: GUIDE & PUSH ROD
 POLYTHARAMIDE UL94V-0 BLACK
 COVER PLATE: STAINLESS STEEL
 EMI CONTACT: PHOSPHOR BRONZE
- FINISH - PIN
 UNDER PLATING: 0.5 μm MIN. Ni
 CONTACT AREA: 0.1 μm MIN GOLD OVER
 0.5 μm MIN Pd-Ni
 SOLDER TAIL: 2.5 μm MIN Sn-Pb

⑤ DIM "X"

| | | |
|---------|--------|------------------|
| 4.25±.1 | 3.5±.1 | 5.0±.1 |
| OTHERS | 36,67 | 1,17,34,35,51,68 |

- RECOMMENDED HOLD DOWN - 2mm SCREWS (95121) AND NUTS (92869). SEE FOR CHARTED INFORMATION. RECOMMENDED SCREW TORQUE: 1.0 TO 1.5 MAX in-lbs. (1.2-1.7 cm-kgs).

| mat'l. code | | | | tolerances unless otherwise specified | | | | CUSTOMER COPY | BERG ELECTRONICS | |
|-------------|----------|-----|---------|---------------------------------------|--------------------|------------|-------------------|---------------|------------------|--|
| ltr | ecn no | dr | date | linear | .X ±.3 | projection | title | | | |
| A | V31898 | RDS | 11/1/93 | linear | .XX ±.13 | | DOUBLE - DECK | | | |
| B | V40630 | RDS | 4/6/94 | angles | .XXX ±.051 | | HEADER EJECT ASSY | | | |
| C | V41771 | RDS | 11/8/94 | angles | ∅ ±2 | mm | product family | MCS | code | |
| D | V61058 | RHG | 7/29/96 | dr | 0.SHEAFFER 9/30/93 | | size | dwg no | sheet | |
| | | | | engr | 0.BRANN 11/1/93 | scale | A4 | 93981 | 1 of 3 | |
| | | | | chr | 0.BRANN 11/1/93 | 1/1 | | | | |
| | | | | appd | 0.BRANN 11/1/93 | | | | | |
| sheet | revision | 0 | 0 | 0 | | | | | | |
| index | sheet | 1 | 2 | 3 | | | | | | |

form no. 7530-001-103

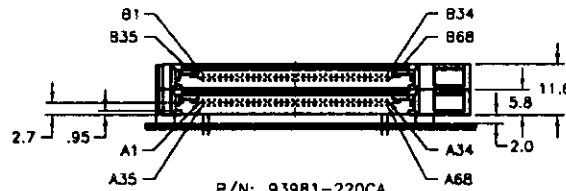
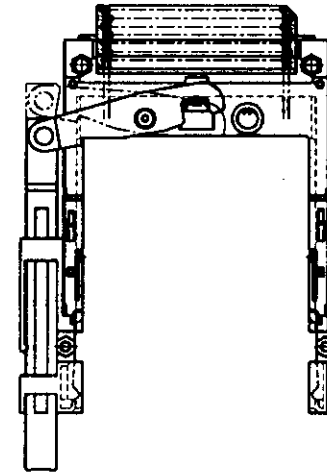
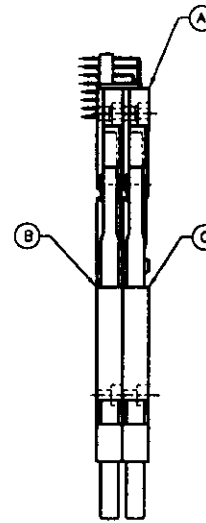
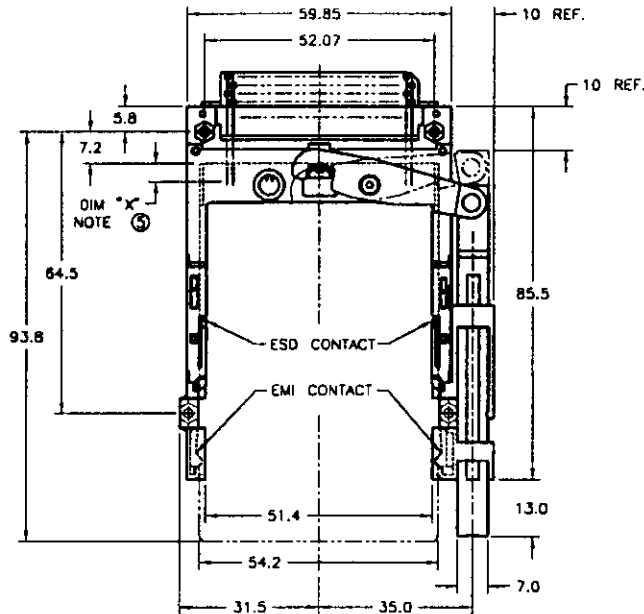
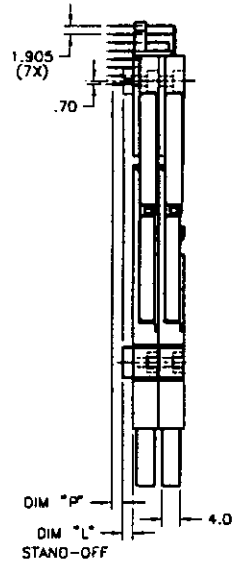
cage code
22526

Tous droits strictement réservés. Reproduction ou communication à des tiers interdite sous quelque forme que ce soit sans autorisation écrite du propriétaire. Propriété de ©BERG ELECTRONICS. Droits de reproduction BERG ELECTRONICS INC.

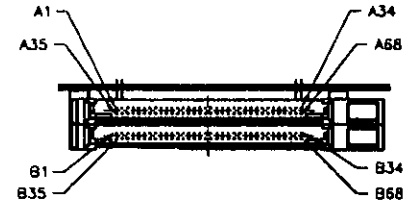


All rights strictly reserved. Reproduction or issue to third parties in any form whatever is not permitted without written authority from the proprietor. Property of ©BERG ELECTRONICS Copyright BERG ELECTRONICS INC.

PRODUCT NO.
93981-XXXX



P/N: 93981-220CA
ABOVE P.C.B.
RIGHT/RIGHT PUSH-ROD
P.C.B. LAYOUT 1 (SHT. 3)



P/N: 93981-720CA
BELOW P.C.B.
RIGHT/RIGHT PUSH-ROD
P.C.B. LAYOUT 2 (SHT. 3)
*VIEW ROTATED 180°
PUSH-ROD & DECK ARE
AS VIEWED BY USER

| | | | | | | | | | |
|-------------|----------------|----|------|---------------------------------------|-----------------|---------------|-------------------------|-------|------------|
| mat'l. code | | | | tolerances unless otherwise specified | | CUSTOMER COPY | BERG ELECTRONICS | | |
| ltr | ecn no | dr | date | linear | .X ± .3 | | | | projection |
| 0 | | | | | .XX ± .13 | mm | product family MCS | | |
| | | | | angles | .XXX ± .051 | | | scale | size |
| | | | | | 0° ± 2' | 1/1 | dwg no | | |
| | | | | dr | R.GRAPE 7/29/96 | | | A4 | 93981 |
| | | | | enqr | D.BRANN 7/29/96 | sheet | 2 of 3 | | |
| | | | | chr | D.BRANN 7/29/96 | | | | |
| | | | | appd | D.BRANN 7/29/96 | | | | |
| sheet index | revision sheet | | | | | | | | |

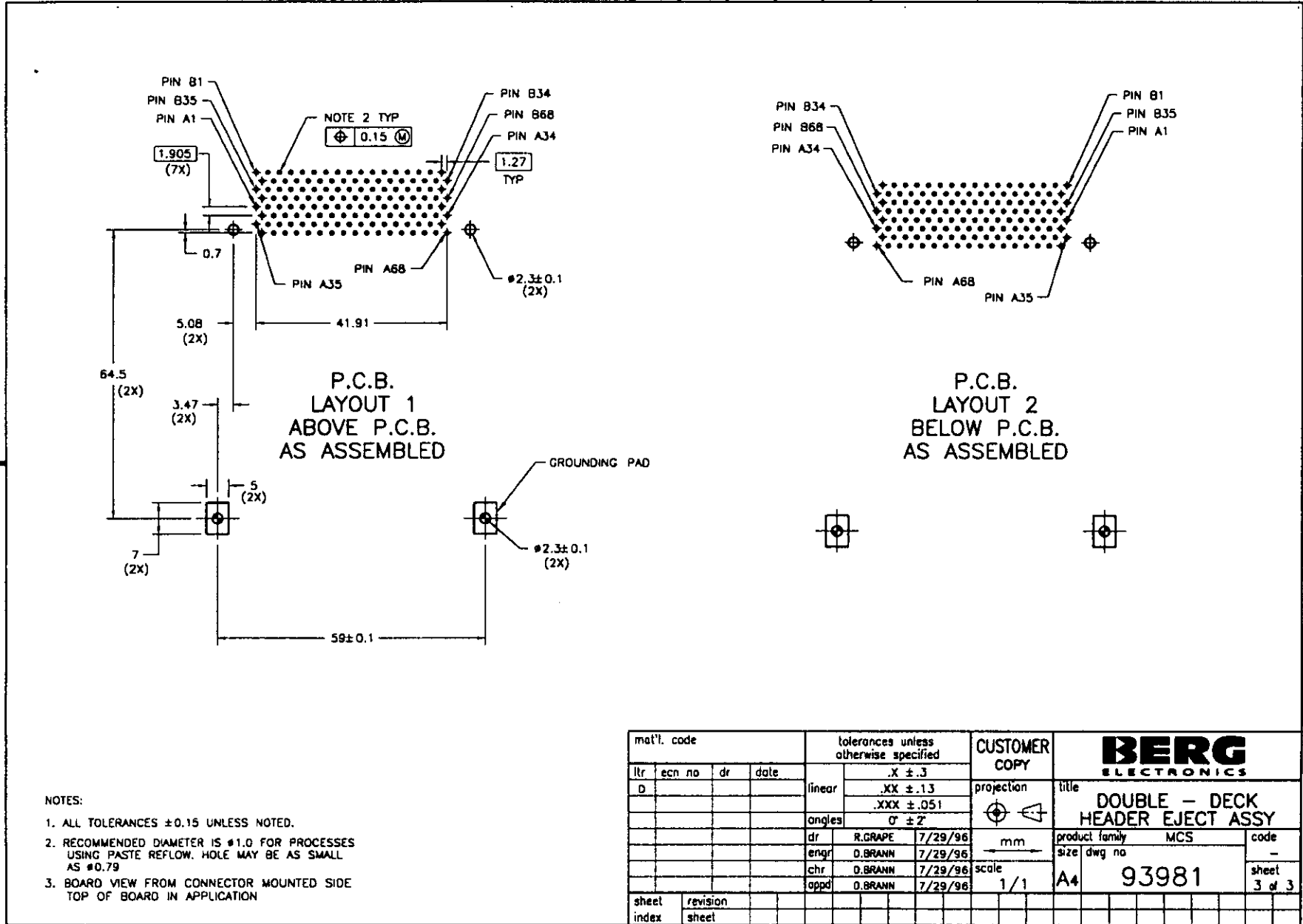
form no. 7530-001-103

cage code
22526

Tous droits strictement réservés. Reproduction ou communication à des tiers interdite sous quelque forme que ce soit sans autorisation écrite du propriétaire.
 Propriété de ©BERG ELECTRONICS. Droits de reproduction BERG ELECTRONICS INC.



All rights strictly reserved. Reproduction or issue to third parties in any form whatever is not permitted without written authority from the proprietor.
 Property of ©BERG ELECTRONICS Copyright BERG ELECTRONICS INC.



NOTES:

1. ALL TOLERANCES ± 0.15 UNLESS NOTED.
2. RECOMMENDED DIAMETER IS $\#1.0$ FOR PROCESSES USING PASTE REFLOW. HOLE MAY BE AS SMALL AS $\#0.79$
3. BOARD VIEW FROM CONNECTOR MOUNTED SIDE TOP OF BOARD IN APPLICATION

| | | | | | | | | | | |
|-----------------------|----------------|----|------|---------------------------------------|-----------------|---------------|---------------------------------|-------------------------|-------|--------|
| mat'l. code | | | | tolerances unless otherwise specified | | CUSTOMER COPY | | BERG ELECTRONICS | | |
| ltr | ecn no | dr | date | linear | .X \pm .3 | projection | title | | | |
| D | | | | | .XX \pm .13 | | DOUBLE - DECK HEADER EJECT ASSY | | | |
| | | | | angles | .XXX \pm .051 | | mm | product family | MCS | code |
| | | | | dr | R.GRAPE 7/29/96 | scale | size | dwg no | sheet | |
| | | | | engr | O.BRANN 7/29/96 | | A4 | 93981 | | 3 of 3 |
| | | | | chr | O.BRANN 7/29/96 | | | | | |
| | | | | appd | O.BRANN 7/29/96 | | | | | |
| sheet index | revision sheet | | | | | | | | | |
| form no. 7530-001-103 | | | | | | | cage code | | 22526 | |